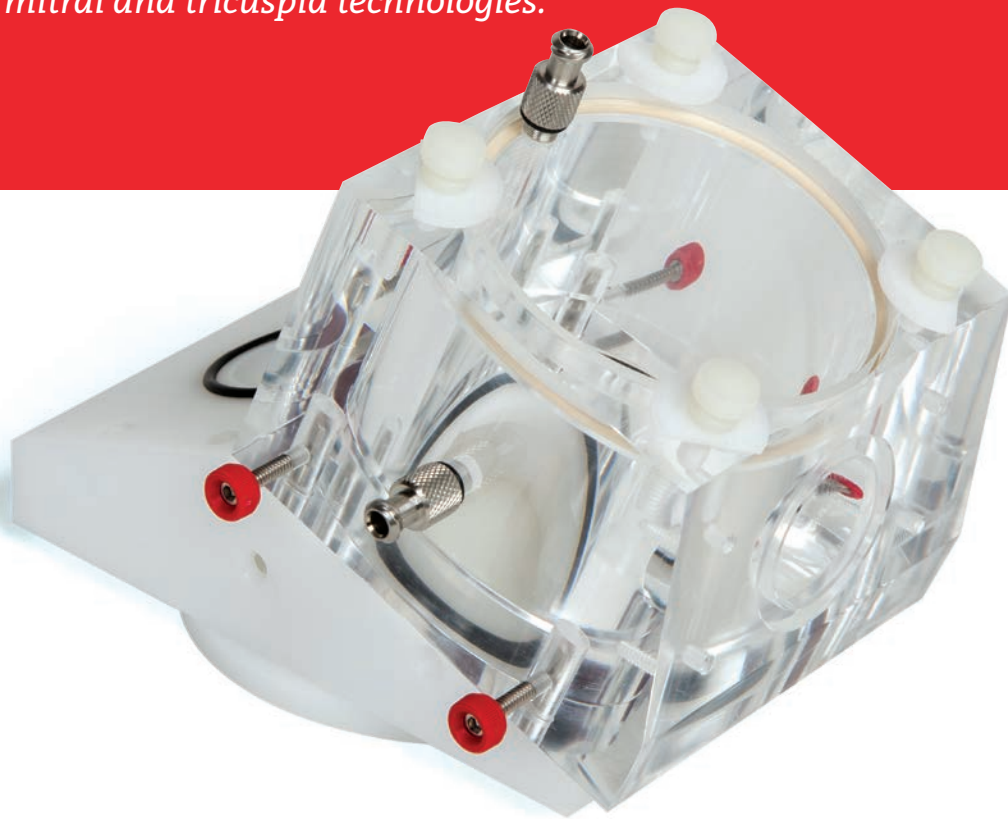


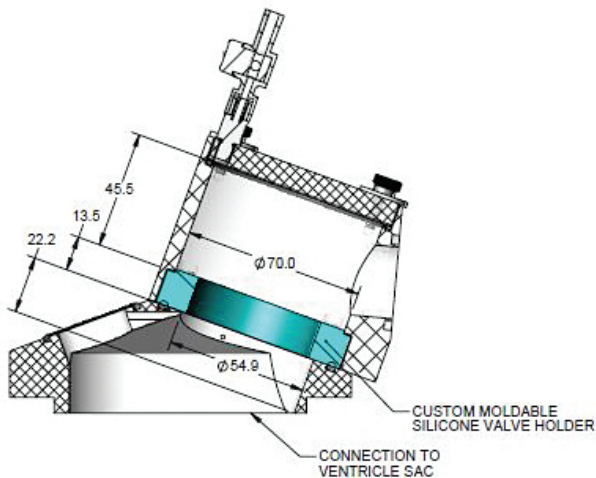
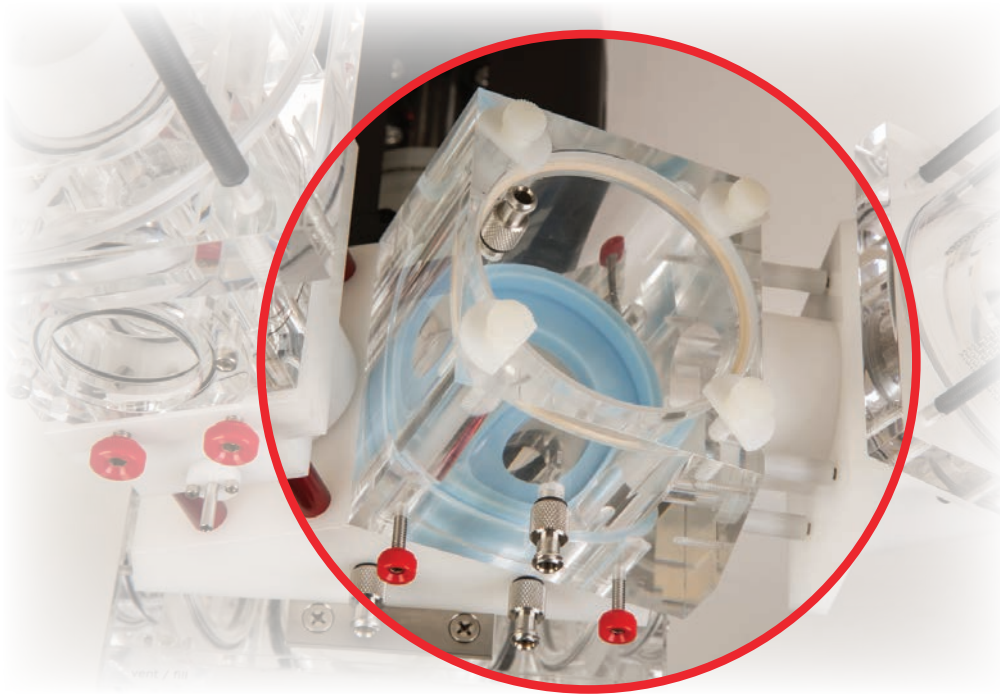
LARGE ATRIUM CHAMBER (MITRAL AND TRICUSPID)

Product Codes: 21179

The large atrium chamber accessory offers expanded space and flexibility for Pulse Duplicator device fixturing to accommodate a wide range of mitral and tricuspid technologies.



- Expands the device testing capabilities of the system for mitral and tricuspid devices
- Quick-release system allows fast device changes
- Enhanced visibility using large viewing window for device inflow
- Customizable Valve Mounting
- Easily added to a ViVitro Pulse Duplicator
- Multiple de-bubbling ports allow quick setup and ensure accurate readings during testing
- Same in-depth pressure readings as standard chamber
- Flow Probe installation at Atrium inflow location for accurate flow measurements



Expanded Space and Flexibly

The Atrium can accommodate devices with inflow diameters of 70 mm and outflow diameters of 55mm.

Customizable Valve Mounting

The Large Atrium package allows users to mold custom valve holders to suit the size and profile of the device being tested.